

SERIES

- 3GW
- 2KD
- 2KD High Pressure
- 3GX
- 3GD
- 3GE (Digital)
- 3GZ





Gem Equipments Private Limited, a manufacturer of compressed air dryers and cooling system since 1984.

- An ISO 9001:2015 certified company, specialising in design, engineering and fabrication of compressed air dryers, cooling towers & filters.
- With an aim of satisfying the needs of all customers and providing a complete solution to plant engineering and utility requirements.

- GEM was established by a group of technocrats with a strong commitment towards excellence.
- The headquarters and manufacturing facility is setup in Coimbatore and with sales offices & warehouses in major cities across India.
- Using advanced technology, GEM accomplishes perfection in manufacturing with latest SAP - ERP.
- Modern production facility comprises of three sections: manufacturing, fabrication and testing. Each section is handled by highly trained engineers and workforce comprising of more than 200 skilled employees.
- GEM's range of products are in compliance with the quality standards set by the industry / International bodies.
- All products manufactured are inspected for technology, quality and design parameters.
- Gem Equipments is committed to enhance customer satisfaction before and after sales.
- Wide distribution network set across domestic and international market.

QUALITY & TECHNOLOGY

The R & D Dept boasts of the best talents with in-depth technical knowledge on International Codes like ASME, TEMA which facilitate to design products to ISO Standards. Close co-ordination with Research Institutes and feedback from the user industries have helped GEM develop and improve upon products. With a strong background in Technology and Commitment to Quality, GEM continues to grow and expand internationally as the supplier of world class innovative products.

MANUFACTURING

The manufacturing system at GEM is one of the best with in-house facilities. Manufacturing equipments of various types for Compressed Air Treatment and Water Cooling Treatment with all accessories and vital components from Internationally renowned brands.

CUSTOMER CARE

GEM offers quick and prompt customer care solution and easy availability of spare parts. Availability of full-fledged & factory-trained customer care personnel at all major cities and all critical nodes through out India. Customer Training Workshops, Product Awareness Seminars, Participation in National and International Trade Fairs / Industrial Exhibitions, Newsletters help GEM communicate and collect feedback from customers for continuous product improvement.



HEAT EXCHANGER



Aluminium Heat Exchanger is the combination of Pre cooler, Evaporator and built in Stainless Steel demister moisture separator. Pre cooler (air to air heat exchanger) and evaporator (air to refrigerant heat exchanger) are cross flow type with more cross sectional area for flow to make it non-clogging. Heat Exchanger is designed to have better turbulence & maximized heat transfer rate. Lesser difference in temperature between Inlet Air & Outlet Air ensures better effectiveness.

CONDENSER



Copper tube with Aluminium fins designed to work at higher ambient up-to 50 deg C. Fins are easy to clean.

AUTO DRAIN VALVE



3GD series utilize timer based drain valve. The condensate is collected in a chamber is segregated from the air flow. The drain valve starts operating automatically after 4/16 mins and opens 4/8 secs for draining, depending upon the capacity of the dryer

COMPRESSOR



Extremely high reliability due to reduced vibration levels and fewer moving parts. Low noise, energy, space weight saving design. Can be used in higher ambient temperature.

TEMPERATURE CONTROLLER



- Pressure dew point temperature
- Status of auto drain valve
- Status of Hot Gas by pass valve Controls as
- Pressure dew point control
- Auto drain Control
- Fan motor Control

REFRIGERANT



Environmentally friendly refrigerant on all models
R-134A, R-404A, R-407C.
No CFC's or HCFC's, EPA/SNAP compliant.
Zero ozone depletion potential

3GW



WALL MOUNTING

Product Range	20-60cfm
Working pressure range	7-16Kg/cm ² (g)
Max. Inlet temperature	45°C
Outlet temperature range	30-35°C
Pressure Dew point at outlet	3-7°C

2KD



GENERAL ENGINEERING

Product Range	20-2500 cfm (Air cooled)
Product Range	750-2500 cfm (Water cooled)
Working pressure range	7-16Kg/cm ² (g)
Max.Inlet temperature	45°C
Outlet temperature range	30-35°C
Pressure Dew point at outlet	2-4°C



2KD 7

HIGH PRESSURE

Product Range	40-1250 cfm
Working pressure range	40-42 bar
Max. Inlet temperature	45°C
Outlet temperature range	30-35°C
Pressure Dew point at outlet	2-4°C



3GX



GENERAL PURPOSE

Product Range	150-2000cfm
Working pressure range	7-16Kg/cm ² (g)
Air flow related to	20°C, 1bar
Max. Inlet temperature	45°C
Outlet temperature range	30-35°C
Pressure Dew point at outlet	2-4°C

3GD



LOGIC CONTROLLER

Product Range	150-2000cfm
Working pressure range	7-16Kg/cm ² (g)
Air flow related to	20°C, 1bar
Max. Inlet temperature	45°C
Outlet temperature range	30-35°C
Pressure Dew point at outlet	2-4°C

3GE



ENERGY SAVING - DIGITAL

Product Range	750-2000cfm
Working pressure range	7-16Kg/cm ² (g)
Air flow related to	20°C, 1bar
Max. Inlet temperature	45°C
Outlet temperature range	30-35°C
Pressure Dew point at outlet	2-4°C

3GZ



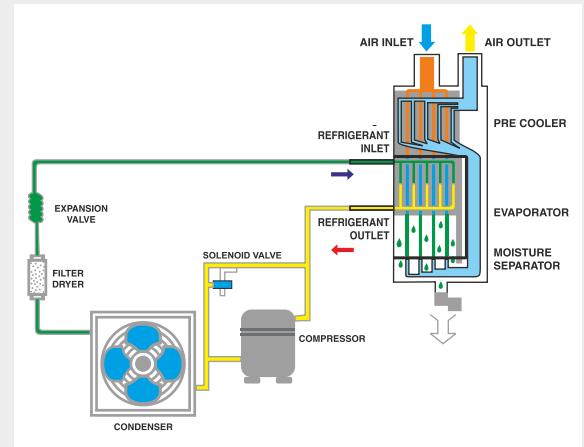
DUAL FREQUENCY

Product Range	20-1000cfm (50 Hz) & 22-1120cfm (60 Hz)
Electrical	Dual Frequency (50 & 60 Hz)
Working pressure range	7-16Kg/cm ² (g)
Air flow related to	20°C, 1bar
Max. Inlet temperature	45°C
Outlet temperature range	30-35°C
Pressure Dew point at outlet	2-4°C

3GW



WALL MOUNTED AIR DRIER



FEATURES

- Wall mounting
- Cyclic-energy saving mode
- Compact size
- Weld less frame
- Dual mounting
- Dew point 3°C - 7°C
- Easy to clean Auto Drain Valve
- Optional with filter

APPLICATIONS

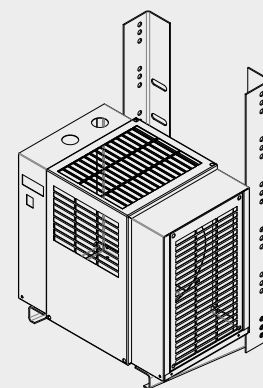
- Pneumatic tools
- Machine tools
- Automotive
- Paint spray
- Automatic washing

TECHNICAL SPECIFICATION

BASE MODEL	NOMINAL CAPACITY	ELECTRICAL CONNECTION	AIR CONNECTION	RATE POWER	OVERALL DIMENSION
	CFM	220V/1P/50HZ	IN/OUT	kW	mm
3GW 002	20	✓	1/2"BSP(F)	0.29	490 x 303 x 425
3GW 004	40	✓	1/2"BSP(F)	0.29	490 x 303 x 425
3GW 006	60	✓	1/2"BSP(F)	0.47	550 x 380 x 475

SPECIFICATION

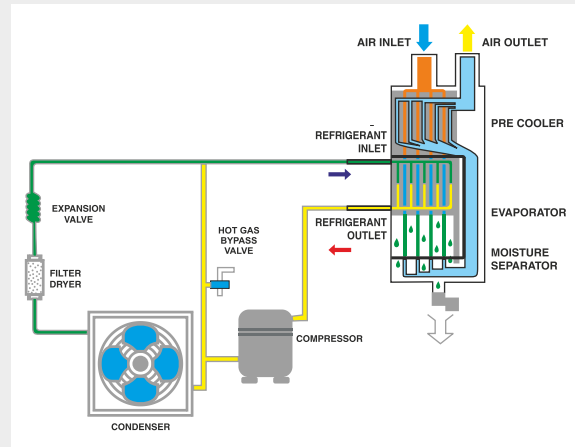
Product Range	20-60cfm
Working pressure range	7-16Kg/cm2 (g)
Max. Inlet temperature	45°C
Outlet temperature range	30-35°C
Pressure Dew point at outlet	3-7°C



2KD



AIR DRIERS



FEATURES

- Aluminium Heat exchanger
- Energy efficient compressor
- C&E Refrigerant
- Timer based drain valve
- Unique multifunctional controller
- Compact Design

TECHNICAL SPECIFICATION

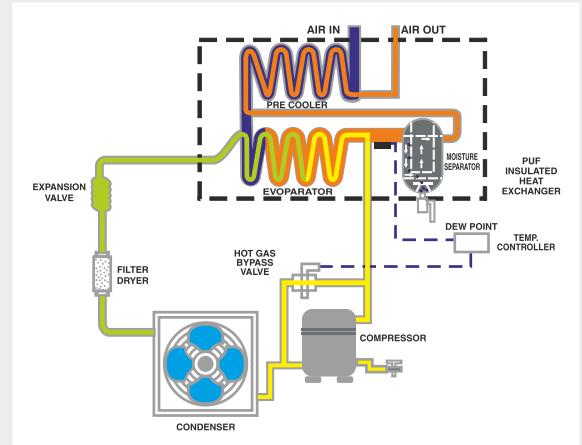
BASE MODEL	NOMINAL CAPACITY	ELECTRICAL CONNECTION		AIR CONNECTION	RATE POWER	OVERALL DIMENSION	NET WEIGHT
	CFM	220V/1P/50HZ	415V/3P/50HZ	IN/OUT	kW	mm	kg
2KD 002	20	✓		½"BSP(F)	0.28	365 x 500 x 550	45
2KD 004	40	✓		½"BSP(F)	0.41	365 x 500 x 550	47
2KD 006	60	✓		1"BSP(F)	0.48	555 x 575 x 500	70
2KD 008	80	✓		1"BSP(F)	0.65	555 x 575 x 500	75
2KD 010	100	✓		1"BSP(F)	0.72	630 x 660 x 550	110
2KD 015	150		✓	1½"BSP(F)	1.24	630 x 660 x 550	120
2KD 020	200		✓	1½"BSP(F)	1.24	630 x 660 x 550	130
2KD 025	250		✓	2"BSP(F)	2.0	900 x 900 x 1230	150
2KD 030	300		✓	2"BSP(F)	2.0	900 x 900 x 1230	160

SPECIFICATION

Product Range	20-2500 cfm (Air cooled)
Product Range	750-2500 cfm (Water cooled)
Working pressure range	7-16Kg/cm ² (g)
Max.Inlet temperature	45°C
Outlet temperature range	30-35°C
Pressure Dew point at outlet	2-4°C

Contd...

2KD



FEATURES

- Designed and built taking into consideration the high reduction of energy consumption.
- Limited pressure drop
- Low power consumption
- High efficiency refrigeration compressor
- Dew point extremely constant functionally even under extreme working conditions(ambient temperature 50°C)

TECHNICAL SPECIFICATION

BASE MODEL	MODEL VARIANCE		NOMINAL CAPACITY CFM	ELECTRICAL CONNECTION 415V/3P/50HZ	AIR CONNECTION IN/OUT	RATE POWER KW		OVERALL DIMENSION mm	NET WEIGHT kg
	E	F				AIR COOLED	WATER COOLED		
2KD 040	✓		400	✓	2"BSP(F)	2.2		750x1000x1400	180
2KD 050	✓		500	✓	2"BSP(F)	2.2		750x1000x1400	225
2KD 060	✓		600	✓	2½"BSP(F)	4.5		750x1000x1400	250
2KD 075	✓	✓	750	✓	3"NB FLG	4.7	4.2	900x1300x1625	350
2KD 100	✓	✓	1000	✓	4"NB FLG	6.0	5.0	900x1300x1725	400
2KD 125	✓	✓	1250	✓	4"NB FLG	7.5	5.8	900x1200x1725	425
2KD 150	✓	✓	1500	✓	5"NB FLG	8.8	6.3	1300x1800x1650	650
2KD 200	✓	✓	2000	✓	6"NB FLG	12.2	9.5	1300x1800x1900	800
2KD 250	✓	✓	2500	✓	6"NB FLG	13.9	11.0	1300x1800x1900	850

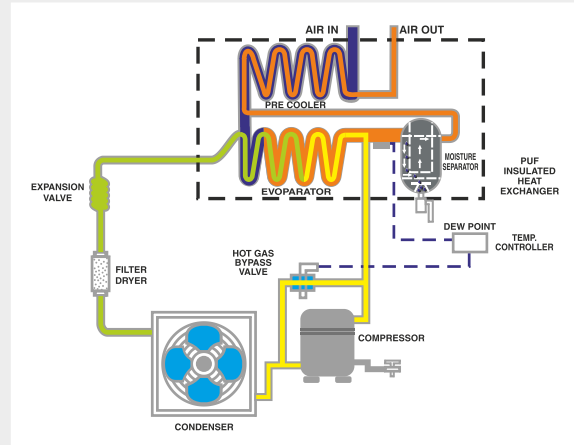
E - Air Cooled, F - Water Cooled

SPECIFICATION

Product Range 20-2500 cfm (Air cooled)
 Product Range 750-2500 cfm (Water cooled)
 Working pressure range 7-16Kg/cm2(g)
 Max. Inlet temperature 45°C
 Outlet temperature range 30-35°C
 Pressure Dew point at outlet 2-4°C



2KD 7 HIGH PRESSURE



FEATURES

- The 2KD7 series of dryers specifically designed for HIGH WORKING pressure
- Maximum working pressure of 42 bar making them ideal for use in PET Industry.
- The only one of its kind on the market, has built-in high efficiency pre-cooler.
- The pre-cooler ensures a reduction of input pressure.
- Performance and compactness of the machine reduces the pressure drop and allows quick and easy installation.

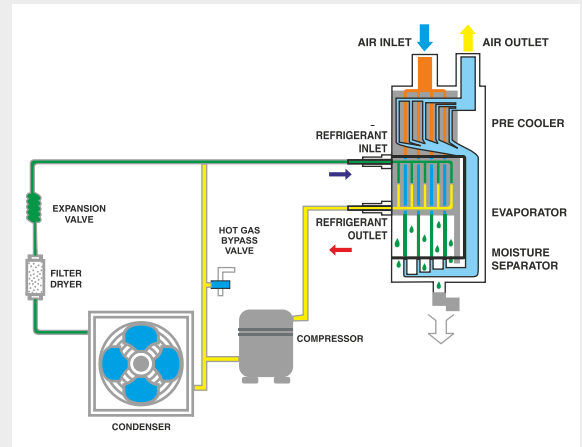
TECHNICAL SPECIFICATION

BASE MODEL	NOMINAL CAPACITY	ELECTRICAL CONNECTION		AIR CONNECTION	RATE POWER	OVERALL DIMENSION	NET WEIGHT
	CFM	220V/1P/50HZ	415V/3P/50HZ	IN/OUT	kW	mm	mm
2KD7 004	40	✓		½" BSP	0.30	360x425x550	47
2KD7 006	60	✓		½" BSP	0.30	360x425x550	47
2KD7 008	80	✓		1" BSP	0.48	550x450x685	80
2KD7 010	100	✓		1" BSP	0.65	500x600x685	85
2KD7 015	150	✓		1" BSP	0.65	500x600x685	85
2KD7 020	200		✓	1 ½" BSP	1.23	700x700x830	120
2KD7 025	250		✓	1 ½" BSP	1.23	700x700x830	135
2KD7 030	300		✓	1 ½" BSP	1.23	700x700x830	135
2KD7 040	400		✓	2" BSP	2.02	900x900x1230	170
2KD7 050	500		✓	2" BSP	2.25	900x900x1230	180
2KD7 060	600		✓	2" NB FLG	3.00	750x1000x1400	250
2KD7 075	750		✓	2" NB FLG	3.23	900x1200x1475	350
2KD7 100	1000		✓	2" NB FLG	5.05	900x1200x1725	400
2KD7 125	1250		✓	2" NB FLG	7.50	900x1200x1725	450

SPECIFICATION

Product Range	40-1250 cfm	Outlet temperature range	30-35°C
Working pressure range	40-42 bar	Pressure Dew point at outlet	2-4°C
Max. Inlet temperature	45°C		

3GX



FEATURES

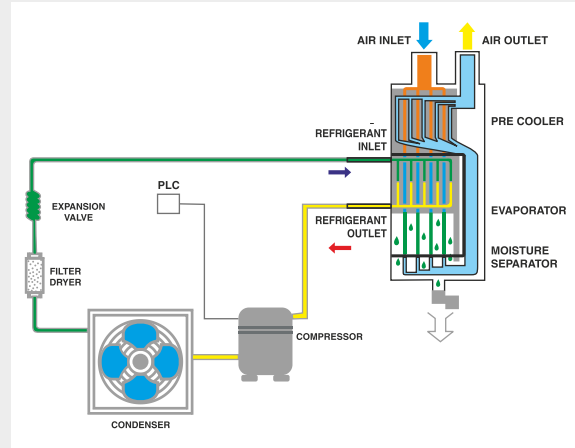
- Inlet/outlet at the top.
- Weld less frame.
- Compact design.
- Safe refrigerant.
- High efficiency heat exchanger.
- Condenser with filter mesh.

TECHNICAL SPECIFICATION

BASE MODEL	NOMINAL CAPACITY	ELECTRICAL CONNECTION	AIR CONNECTION	RATE POWER	OVERALL DIMENSION
	CFM	415V/3P/50HZ	IN/OUT	kW	mm
3GX 015	150	✓	1 ½" BSP(F)	1.5	660x615x795
3GX 020	200	✓	1 ½" BSP(F)	1.5	660x615x795
3GX 030	300	✓	2" BSP(F)	1.7	805x640x1010
3GX 050	500	✓	2" BSP(F)	2.8	805x640x1010
3GX 075	750	✓	3" NB FLG	4.7	1600x920x1570
3GX 100	1000	✓	3" NB FLG	6.2	1300x920x1540
3GX 150	1500	✓	4" NB FLG	9.8	1600x920x1840
3GX 200	2000	✓	4" NB FLG	13.5	1600x920x1840

SPECIFICATION

Product Range	150-2000cfm
Working pressure range	7-16Kg/cm ² (g)
Air flow related to	20°C, 1bar
Max. Inlet temperature	45°C
Outlet temperature range	30-35°C
Pressure Dew point at outlet	2-4°C



FEATURES

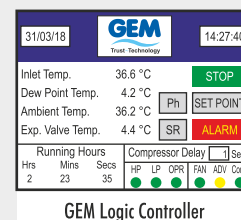
- PLC Controller
- Weld less frame
- Compact Design
- Filter Mesh for Condenser
- Refrigerant R404,R407C
- Preset pressure switches for high pressure, low pressure and fan control

TECHNICAL SPECIFICATION

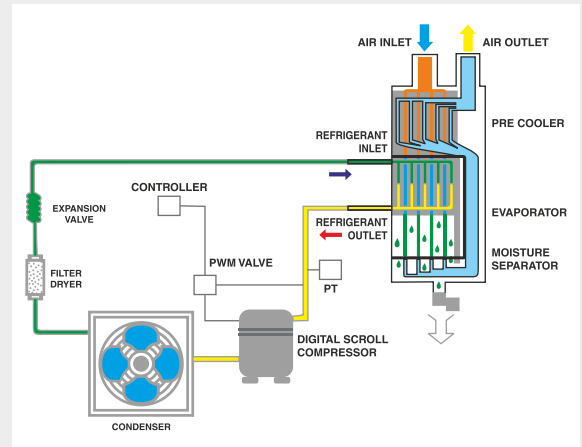
BASE MODEL	NOMINAL CAPACITY	ELECTRICAL CONNECTION	AIR CONNECTION	RATE POWER	OVERALL DIMENSION
	CFM	415V/3P/50HZ	IN/OUT	kW	mm
3GD 015	150	✓	1 ½" BSP(F)	1.4	600x615x795
3GD 020	200	✓	1 ½" BSP(F)	1.4	600x615x795
3GD 030	300	✓	2" BSP(F)	1.6	805x640x1005
3GD 050	500	✓	2" BSP(F)	2.8	805x640x1005
3GD 075	750	✓	3" NB FLG	4.7	1300x920x1580
3GD 100	1000	✓	3" NB FLG	6.2	1300x920x1580
3GD 150	1500	✓	4" NB FLG	9.8	1600x920x1850
3GD 200	2000	✓	4" NB FLG	13.5	1600x920x1850

SPECIFICATION

Product Range 150-2000cfm
Working pressure range 7-16Kg/cm²(g)
Air flow related to 20°C, 1bar
Max. Inlet temperature 45°C
Outlet temperature range 30-35°C
Pressure Dew point at outlet 2-4°C



3GE (Digital)



FEATURES

- Digital Pulse Width Control
- Power Saving Digital scroll compressor
- Automatic dew point controller
- High Efficiency Heat Exchanger
- Automatic Dew Point Controller
- High Efficiency Heat Exchanger
- Weld less frame
- Filter Mesh for Condenser
- Preset pressure switches for high pressure and low pressure control
- Tandem models
- Compact Design
- Refrigerant R404,R407C

TECHNICAL SPECIFICATION

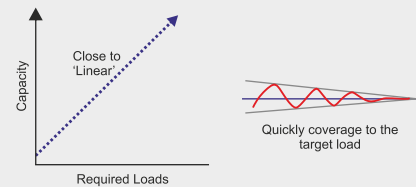
BASE MODEL	NOMINAL CAPACITY	ELECTRICAL CONNECTION	AIR CONNECTION	RATE POWER	OVERALL DIMENSION
	CFM	415V/3P/50HZ	IN/OUT	kW	mm
3GE 075*	750	✓	3" NB FLG	5.2	1600x920x1570
3GE 100*	1000	✓	3" NB FLG	6.2	1600x920x1570
3GE 150**	1500	✓	4" NB FLG	9.8	1600x920x1840
3GE 200**	2000	✓	4" NB FLG	13.5	1600x920x1840

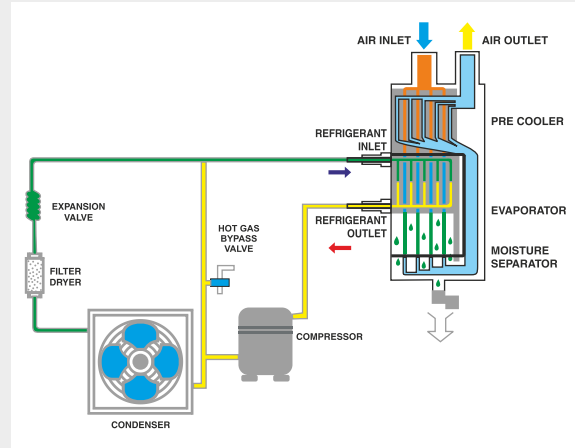
* Digital scroll compressor

** Tandem models (digital scroll compressor + ordinary scroll compressor)

SPECIFICATION

Product Range 750-2000cfm
 Working pressure range 7-16Kg/cm²(g)
 Air flow related to 20°C, 1bar
 Max. Inlet temperature 45°C
 Outlet temperature range 30-35°C
 Pressure Dew point at outlet 2-4°C





FEATURES

- Dual Frequency
- Inlet/Outlet at Top
- Weldless Frame
- Compact Design
- Safe Refrigerant
- High Efficiency Heat Exchanger
- Condenser with filter mesh

TECHNICAL SPECIFICATION

BASE MODEL	NOMINAL CAPACITY		ELECTRICAL CONNECTION		AIR CONNECTION	RATE POWER (kW)		OVERALL DIMENSION mm
	50 Hz	60 Hz	50 Hz	60 Hz		50 Hz	60 Hz	
3GZ 002	20	22	180-242 V / 1 Phase	187-242 V / 1 Phase	½" BSP(F)	0.25	0.29	490x435x305
3GZ 004	40	45			½" BSP(F)	0.35	0.43	490x435x305
3GZ 006	60	67			1" BSP(F)	0.45	0.57	550x380x490
3GZ 015	150	168	342-462 V / 3 Phase	396-506 V / 3 Phase	1½" BSP(F)	1.81	2.13	655x615x795
3GZ 020	200	224			1½" BSP(F)	1.81	2.13	655x615x795
3GZ 030	300	336			2" BSP(F)	3.14	3.74	805x635x1005
3GZ 040	400	448			2" BSP(F)	3.40	3.40	805x635x1005
3GZ 050	500	560	400-440 V / 3 Phase	400-400 V / 3 Phase	2" BSP(F)	3.40	3.40	805x635x1005
3GZ 075	750	840			3" NB FLG	6.43	6.45	1300x920x1570
3GZ 100	1000	1120			3" NB FLG	7.21	7.21	1300x920x1570

SPECIFICATION

Product Range 20-1000cfm
 Electrical Dual Frequency (50 & 60 Hz)
 Working pressure range 7-16Kg/cm²(g)
 Air flow related to 20°C, 1bar
 Max. Inlet temperature 45°C
 Outlet temperature range 30-35°C
 Pressure Dew point at outlet 2-4°C

REFRIGERATION AIR DRYER
(RAD SERIES)



- Shell and copper tube heat exchanger
- Non-cyclic system with provision of hot gas bye-pass valve
- HP, LP, WP overload safety trips
- Low pressure applications

SUPER PACK DESICCANT
AIR DRYER (SPD SERIES)



- Compact in size
- Ease of operation
- Light weight
- Non-corrosive aluminium body
- Aesthetic look
- Silent - Low purge noise

DESICCANT AIR DRYER
(HLD SERIES)



- Designed for higher capacities as per ASME Sec VIII / IS: 2825
- Inbuilt pre filter and after filter
- Pressure gauges and safety valves on adsorber tower

DESICCANT AIR DRYER
(HLN SERIES)



- Corrosion resistant epoxy painting
- Auto drain fitted in pre-filter
- User friendly mimic panel
- Sturdy box frame
- Compact size



**Air Cooled After Cooler
(ACC Series)**

Aluminium finned copper tube heat exchanger

Continuous duty motor with highly reliable fans

Most suitable for portable application



**Moisture Separator
(VWS & MST Series)**

Zero maintenance

Most effective separation of water and oil

Non corrosive aluminium body construction

Sight glass for visually checking moisture collection



**Automatic Drain Valve
(GZ Series)**

Universal voltage

Fully automatic - no maintenance

Adjustable interval and discharge times

Solid-state timer for long life and reliability

Small compact design



**Automatic Drain Valve
(GFV 20)**

Zero air loss

No electricity - no noise

Robust design

Manual discharge

Cleanable orifice

Float type

Long life aluminium casting



**Water Cooled After Cooler
(WAV/WAH Series)**

Option of TEMA C / Std. Engg. practice design

Comparatively low power consumption

Less impact of ambient in the outlet temperature

Vertical and horizontal models available



**Compressed Air Filter
(GZF Series)**

Air Quality - as per ISO: 8573-1

Warranty for elements also

Coloured elements for specific grade

Low pressure drop



**Compressed Air Receiver
(VAR Series)**

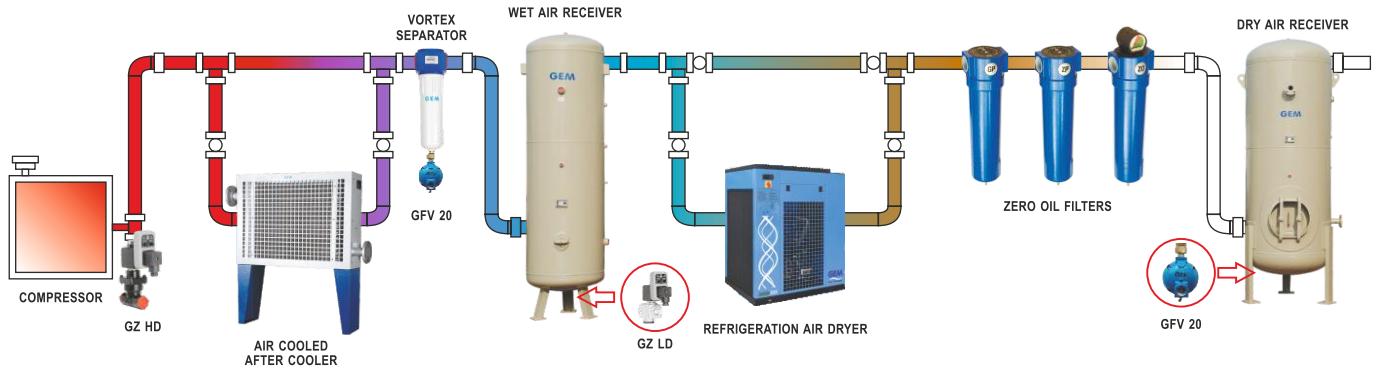
Designed as per IS:7938

Hand and man holes provided as per code

Working pressure up to 40 bar

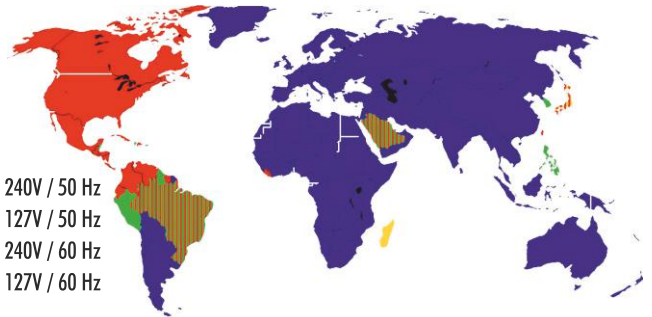
Shell / Dish as per ASME Sec VIII or IS:2825

TYPICAL INSTALLATION



TYPICAL APPLICATION

- Air Compressor
- Air Conditioning Plants
- Aluminium Die Casting Machinery
- Diesel Generator
- Furnace
- Plastic Machinery
- Process Industries



Anytime - Anywhere
Service



Same day delivery of
Spares



A Unique Comprehensive
maintenance contract



SALES & CUSTOMER CARE

Head Office : Coimbatore

Regional Offices : Chennai | Kolkata | Mumbai

Channel Associates : Ahmedabad | Aurangabad | Bhopal | Bengaluru
Chandigarh | Cuttack | Delhi | Hyderabad
Jamshedpur | Lucknow | Madurai | Nagpur
Nasik | Pune | Rajkot | Sivasagar
Surat | Sangli | Vadodara | Visakhapatnam

GEM Equipments (P) Ltd.

S.F. No. 103, Avinashi Road,
Arasur, Coimbatore,
Tamil Nadu 641 407, INDIA.

SALES : sales@gemindia.com
: 93444 55927
Web site : http://www.gemindia.com

SERVICE : service@gemindia.com
: 93666 31697
GSTIN : 33AACCG5630M1ZM

